

Escape ladder

Target No.  
 は第 16~6 号 は第 21~7 号  
 は第 18~8 号 は第 24~1 号

# For Tascarl SPC, SPCII and SPCIII models

## Safety Precautions

In case of emergency, read this document carefully before using this product to ensure that you use it correctly. Note also that the hazards indicated here could have serious consequences depending on the circumstances. These instructions include important safety information and should be followed at all times.

### Key to terminology, symbols and icons

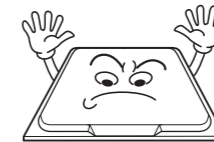
	<b>Warning</b>	Denotes a hazard which, if the steps indicated are not taken, could result in serious injury and/or death.
	<b>Caution</b>	Denotes a hazard which, if the information indicated is ignored or the product is mishandled, could result in injury and/or property damage.
	<b>Important</b>	This symbol indicates something that must be carried out.
		This symbol indicates something that must be avoided.

## Everyday Management

### Warning

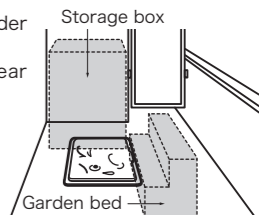
#### Do not open the lid except to escape.

Unless required for training drills or for maintenance or regular inspections, do not open the lid. Doing so risks someone falling into the open hatch. Be vigilant in ensuring that children do not mischievously open the lid.



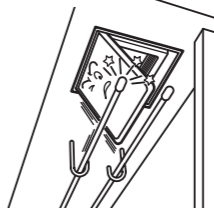
#### Do not place objects on the lid.

Doing so could render the ladder unusable in an emergency. Do not place objects on or near the lid.



#### Ensure that there are no objects that could impede the escape ladder being extended downwards.

If the bottom lid on the case cannot be opened fully, you will not be able to use the ladder.



\* Seek the cooperation of residents on the floor below in ensuring there is adequate effective space for escaping.

#### Do not attempt to disassemble or modify the product.

Do not remove the ladder or otherwise disassemble or modify this product. Doing so could prevent the ladder from operating normally or cause the ladder to fall down.

#### Only use the ladder for escaping.

This ladder is designed as an escape ladder. Use the ladder for purposes other than escaping could cause the ladder to break and fall, resulting in a serious accident.

### Caution

#### Take care not to slip.

When the top of the lid is wet, there is the risk of slipping.



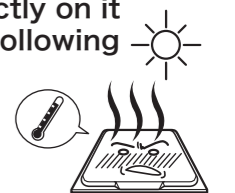
#### Take care not to trip over.

The lid protrudes above the level of the floor. Tripping on the lid could cause injury. Take particular care when it is dark (at night, etc.)



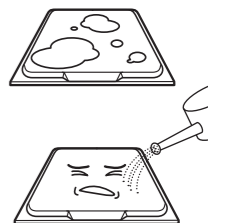
#### Take care not to directly touch the lid with bare hands or stand directly on it with bare feet when it is hot following exposure to direct sunlight.

If the lid is exposed to direct sunlight for long periods, it may become hot. Take care not to directly touch the hot lid.



#### Avoid contact with wall cleaning detergent.

Contact with acidic wall cleaning detergent may cause rust. Take care not to spill such substances onto the product. Any such spills must be thoroughly cleaned off.



#### Do not sprinkle water onto the escape hatch.

The escape hatch is constructed so as to shed water to the floor below so that the water does not collect in the ladder section. When cleaning verandas or watering plants, take care to keep the water away from the area around the escape hatch. Note also that rainwater may be shed to the floor below when it rains.

### Important

#### Hand this document to the person in charge of the management office or the occupant.

It is a legal requirement that the escape ladder be inspected and maintained by a qualified person (fire protection engineer or firefighting equipment inspector) at least twice a year.

#### Clean the escape ladder regularly.

The storage cabinet is constructed of rust-resistant stainless steel, but may rust if left wet for some time. Accordingly, it should be cleaned regularly.

#### The escape routes, the position of the escape ladder and the procedures for using the ladder should be checked on a regular basis.

To ensure that evacuation proceeds smoothly in the event of a disaster, the escape routes, the position of the escape ladder and the procedures for using the ladder should be checked on a regular basis.

#### Clean off any bird droppings or metallic dust.

Rusting of the storage cabinet may be caused by bird droppings or metallic dust. Promptly clean off any such soiling that occurs.

NAKA CORPORATION

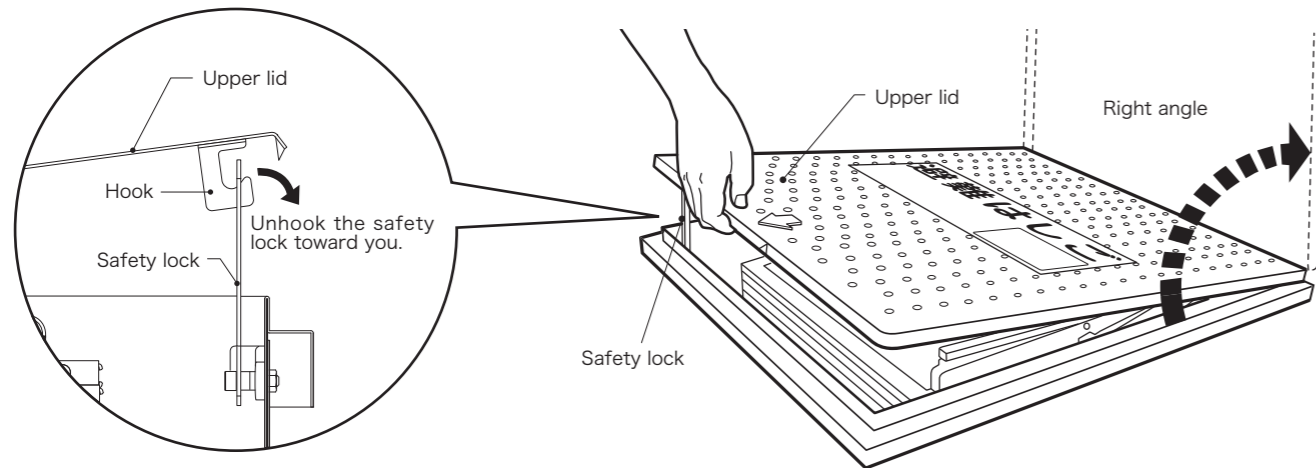
<https://www.naka-kogyo.co.jp>



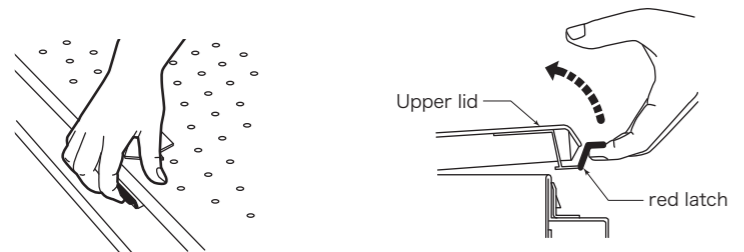
# How to escape

\* It is important to always be prepared for any eventuality. Check each step when conducting drills and ensure that you fully understand how to use this product.

**1** Lift the upper lid to unhook the safety lock and open the lid to upright position.



《How to use strong wind measures latch》 ※Optional parts



Pull up the red latch.

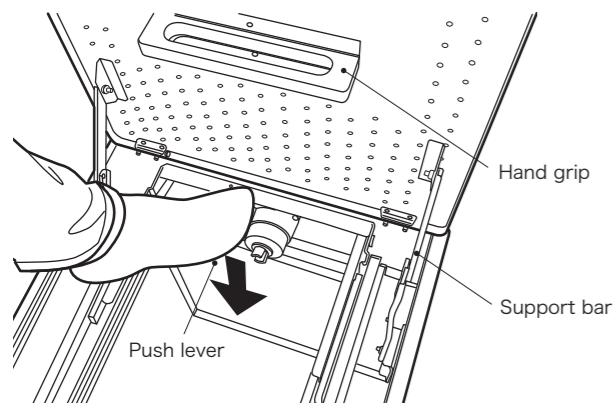
\* Refer to **1** to take off safety lock.

Grip the handle of the lid and pull it upwards. When the lid is opened at right angles, it automatically locks in place and will not close.

## Warning

Opening the escape ladder lid also opens the escape hatch. Take care not to fall into the hatch. Watch carefully to check each step.

**2** Pushing on the push lever.

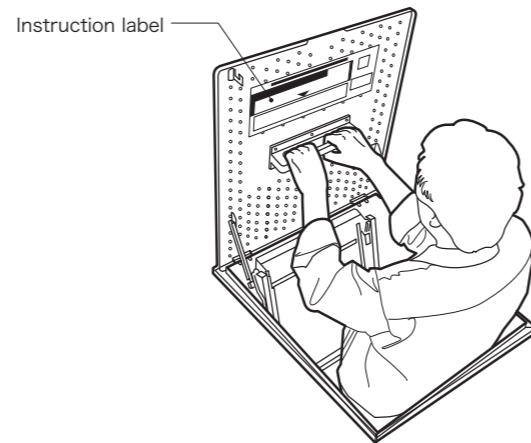


## Caution

Before pressing the push lever, check that there is nobody below. The ladder will extend downwards and could strike people on the floor below.

Do not allow the push lever to retract until the ladder is fully extended. Releasing the push lever mid-way could cause the ladder to retract suddenly and damage the internal winding mechanism so that the ladder can no longer be stowed or extended.

**3** Confirm the ladder is stretched and go down to a downstairs.



## Warning

Climb down the ladder one rung at a time. Applying abnormal impact load, such as by jumping down two rungs at a time, could cause the ladder to break and fall, resulting in a serious accident.

Do not rock the ladder. Pushing hard on the ladder or rocking it from side to side could cause the ladder to break and fall, resulting in a serious accident.

# How to store

\* Store the escape ladder by following the procedure below so that it is ready to use next time.

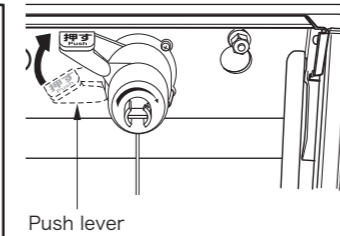
## Warning

The escape hatch is open. Watch carefully where you step and take care not to fall into the hatch. Also keep small children away from the hatch.

**1** Set the push lever to a horizontal position.

## Caution

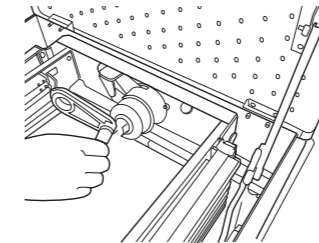
Check that the ladder is fully extended. Winding the ladder up when it is not fully extended could foul the winding wire and cause damage.



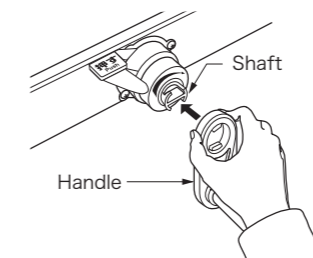
## Caution

Releasing the winding handle when the push lever is not in the horizontal position will cause the ladder to extend, turning the handle in reverse. This could result in the handle striking your hand.

**2** Take off the handle from the ladder.



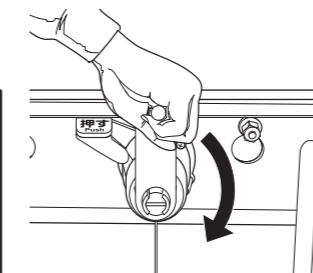
**3** Put the handle into the shaft.



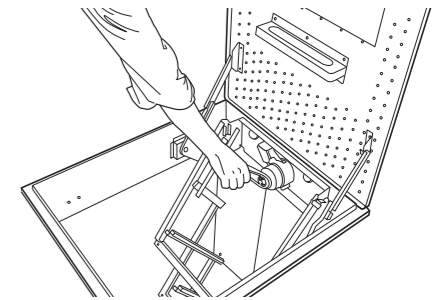
**4** Wind up the handle at clockwise direction to store the ladder.

## Caution

When winding up the ladder, do not press on the handle with excessive force or pull the handle towards you. Doing so could break the spindle.



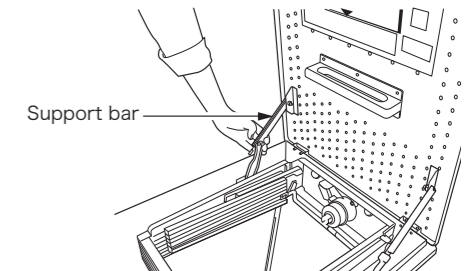
**5** Store the ladder completely then replace the handle to a original position.



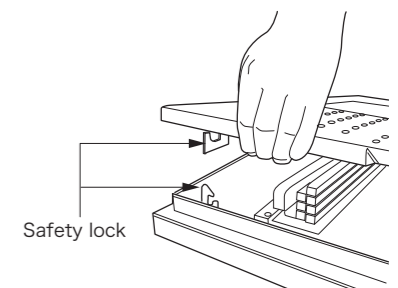
## Caution

Wind the ladder fully all the way up. The lid will not close unless the ladder is fully wound up. Leaving the ladder partially extended could also damage the casing.

**6** Close the upper lid by pulling the support bar toward you.



**7** Close the upper lid slowly. The safety lock is locked by itself.



**8** Lift up the upper lid slightly to confirm the safety lock is locked.

